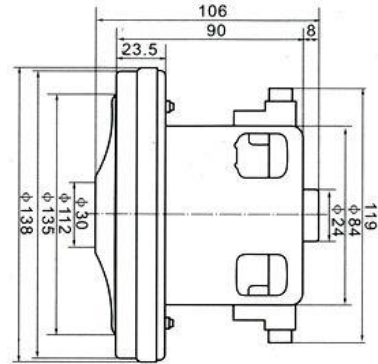
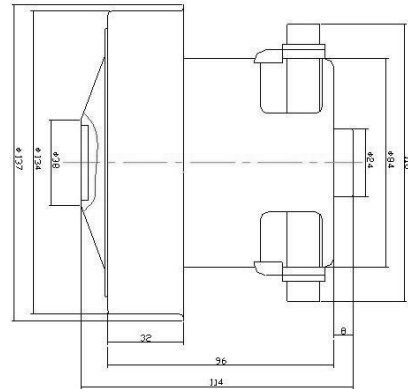


TW-138137 Vacuum Cleaner Motor

OUTPUT POWER:800~1600 W (APPROX)



| Specification | Model | TW-138 | TW-138 | Tolerance Value |
|---------------|--------------------------|-------------------------|-------------------------|-----------------|
| | Voltage(V) | 220 230 240 100 110 120 | 220 230 240 100 110 120 | / |
| | Frequency(Hz) | 50/60 | 50/60 | / |
| | Input (W) | 1200 | 1400 | ±10% |
| | Max Vacuum Degree(KPa) | 24 | 25 | -5% |
| | Max Air Quantity(m3/min) | 3 | 3.1 | -8% |
| | Temp.Rise(K) | <85 | <85 | / |
| | Noisy(dB) | 96 | 96 | / |
| | Sparkle Grade | <2 Level | <2 Level | / |
| | Insulation Grade | B | B | / |
| | Max Eff.(%) | 35 | 35 | -10% |



| Specification | Model | TW-137 | TW-137 | Tolerance Value |
|---------------|--------------------------|-------------------------|-------------------------|-----------------|
| | Voltage(V) | 220 230 240 100 110 120 | 220 230 240 100 110 120 | / |
| | Frequency(Hz) | 50/60 | 50/60 | / |
| | Input (W) | 1500 | 1600 | ±10% |
| | Max Vacuum Degree(KPa) | 24.5 | 25.5 | -5% |
| | Max Air Quantity(m3/min) | 3.25 | 3.3 | -8% |
| | Temp.Rise(K) | <85 | <85 | / |
| | Noisy(dB) | 100 | 101 | / |
| | Sparkle Grade | <2 Level | <2 Level | / |
| | Insulation Grade | B | B | / |
| | Max Eff.(%) | 35 | 35 | -10% |